

Technical training.
Product information.

G01 Telephone



BMW Service

Edited for the U.S. market by:

BMW Group University
Technical Training

ST1701

9/1/2017

General information

Symbols used

The following symbol is used in this document to facilitate better comprehension or to draw attention to very important information:



Contains important safety information and information that needs to be observed strictly in order to guarantee the smooth operation of the system.

Information status and national-market versions

BMW Group vehicles meet the requirements of the highest safety and quality standards. Changes in requirements for environmental protection, customer benefits and design render necessary continuous development of systems and components. Consequently, there may be discrepancies between the contents of this document and the vehicles available in the training course.

This document basically relates to the European version of left-hand drive vehicles. Some operating elements or components are arranged differently in right-hand drive vehicles than shown in the graphics in this document. Further differences may arise as a result of the equipment specification in specific markets or countries.

Additional sources of information

Further information on the individual topics can be found in the following:

- Owner's Handbook
- Integrated Service Technical Application.

Contact: conceptinfo@bmw.de

©2017 BMW AG, Munich

Reprints of this publication or its parts require the written approval of BMW AG, Munich.

The information contained in this document forms an integral part of the BMW Group Technical Qualification and is intended for the trainer and participants in the seminar. Refer to the latest relevant information systems of the BMW Group for any changes/additions to the technical data.

Information status: **June 2017**
Technical training.

G01 Telephone

Contents

1.	Introduction	1
1.1.	Overview.....	1
2.	Telephone Systems	2
2.1.	Overview.....	2
2.1.1.	Hands-free system with USB interface.....	2
2.1.2.	System wiring diagram.....	3
2.1.3.	Convenient telephone with extended smartphone connection.....	4
2.1.4.	System wiring diagram.....	5
2.1.5.	Telephone with wireless charging.....	6
2.1.6.	System wiring diagram.....	7
2.2.	Differences between Headunit Basic 2/Headunit High2.....	8
2.3.	Telematics.....	8
2.3.1.	System wiring diagram.....	9
3.	BMW Connected App	11
3.1.	Innovations.....	11
3.1.1.	BMW Connected+.....	11
3.1.2.	Send my routes to car.....	12
3.1.3.	Share live trip status.....	13
3.1.4.	Door-to-door navigation.....	14
3.1.5.	My Destinations.....	15
3.1.6.	Summary.....	16
3.1.7.	Functions without BMW Connected+.....	17
3.1.8.	BMW Connected app buttons.....	18
3.2.	Remote 3D View.....	19
3.2.1.	Function.....	19
3.2.2.	Display.....	20
3.2.3.	Service.....	21
4.	ConnectedDrive	22
4.1.	Accident Assistance.....	22
4.1.1.	Function.....	22
4.1.2.	Requirement.....	22
4.1.3.	Displays.....	23

G01 Telephone

1. Introduction

1.1. Overview

The telephone and telematics services are mainly based on those of the G30.

The BMW Connected app has been further developed. Information on this subject is described in this product information.

The BMW accident assistance has been added to BMW TeleServices as an additional function.

Microsoft Exchange offers the possibility of using the vehicle as a mobile office.

System/Function	Explanation
BMW Connected	Connected+
ConnectedDrive	Accident Assistance Microsoft Exchange

G01 Telephone

2. Telephone Systems

2.1. Overview

The G01 comes with the following telephone systems:

- Hands-free system with USB interface (standard equipment)
- Convenient telephone with extended smartphone connection (OE 6NS)
- Telephone with wireless charging (OE 6NW).

2.1.1. Hands-free system with USB interface

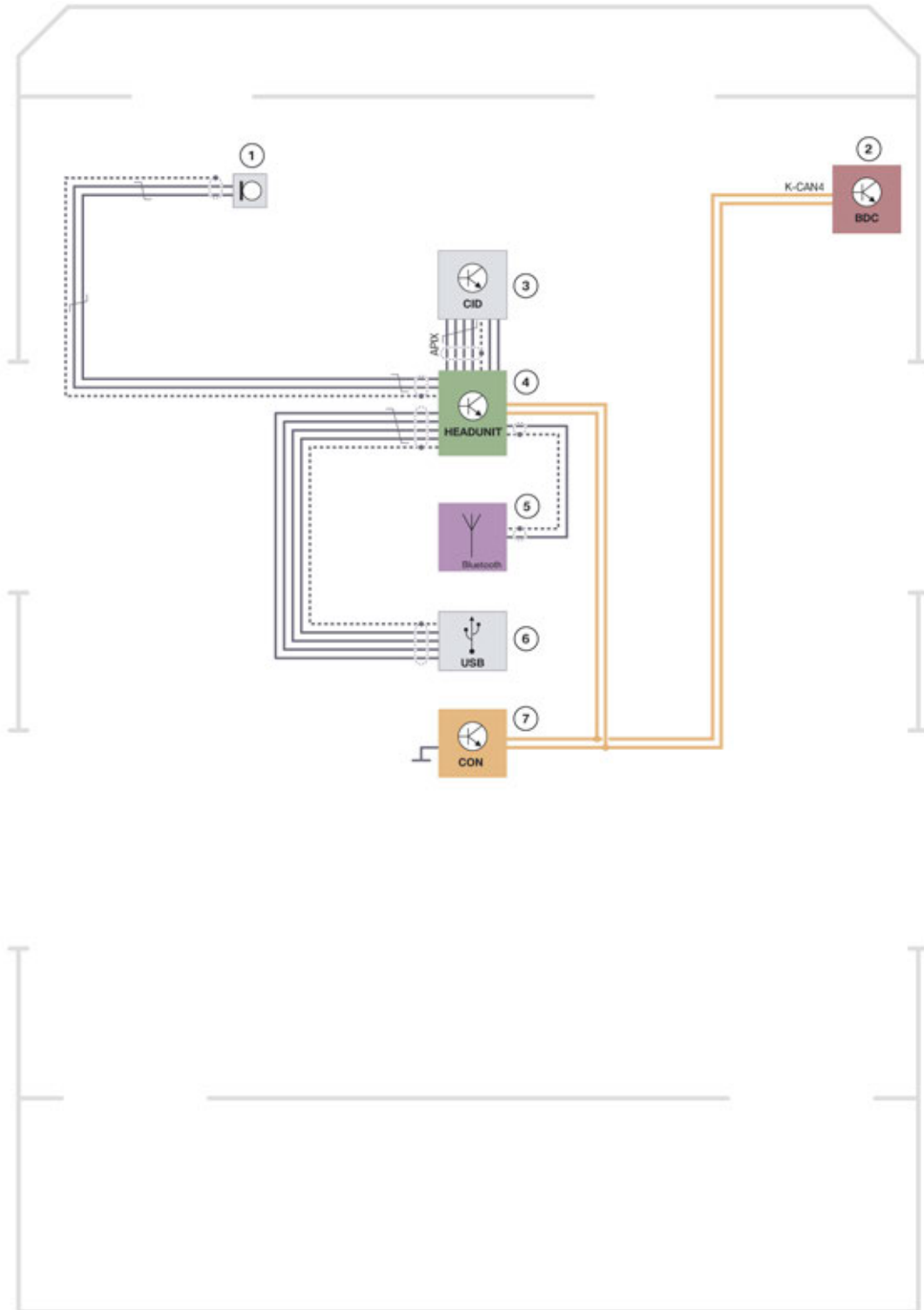
The standard equipment configuration comprises a hands-free system with USB interface.

Features	Hands-free system with USB interface (standard equipment)
Snap-in adapter	A base plate is not installed in the vehicle. Thus, a snap-in-adapter is not offered.
Number of mobile phones	2 mobile phones can be active at the same time.
USB interfaces	1 (1 A charge current)
Wireless Charging (OE 6ND)	—
Bluetooth audio	Yes
Screencast	—
USB video	—
Number of microphones	1 (driver's side)
WLAN hotspot (OE 6WD)	—
Office functions	—
Connection to the telephone antenna of the vehicle	—

G01 Telephone

2. Telephone Systems

2.1.2. System wiring diagram



G01 Hands-free system with USB interface

TE17-0836

G01 Telephone

2. Telephone Systems

Index	Explanation
1	Microphone, driver's side
2	Body Domain Controller (BDC)
3	Central Information Display (CID)
4	Headunit
5	Bluetooth antenna
6	USB interface
7	Controller (CON)

2.1.3. Convenient telephone with extended smartphone connection

Since the introduction of telephone with wireless charging, the telephone with extended smartphone connection has been reworked. The basic functions remain the same. The main difference is the possibility of charging the mobile phone. A base plate is no longer installed.

Since the base plate has been omitted, it is not possible to charge the telephone via a snap-in-adaptor. Without the base plate a connection to the telephone antenna of the vehicle is not available.

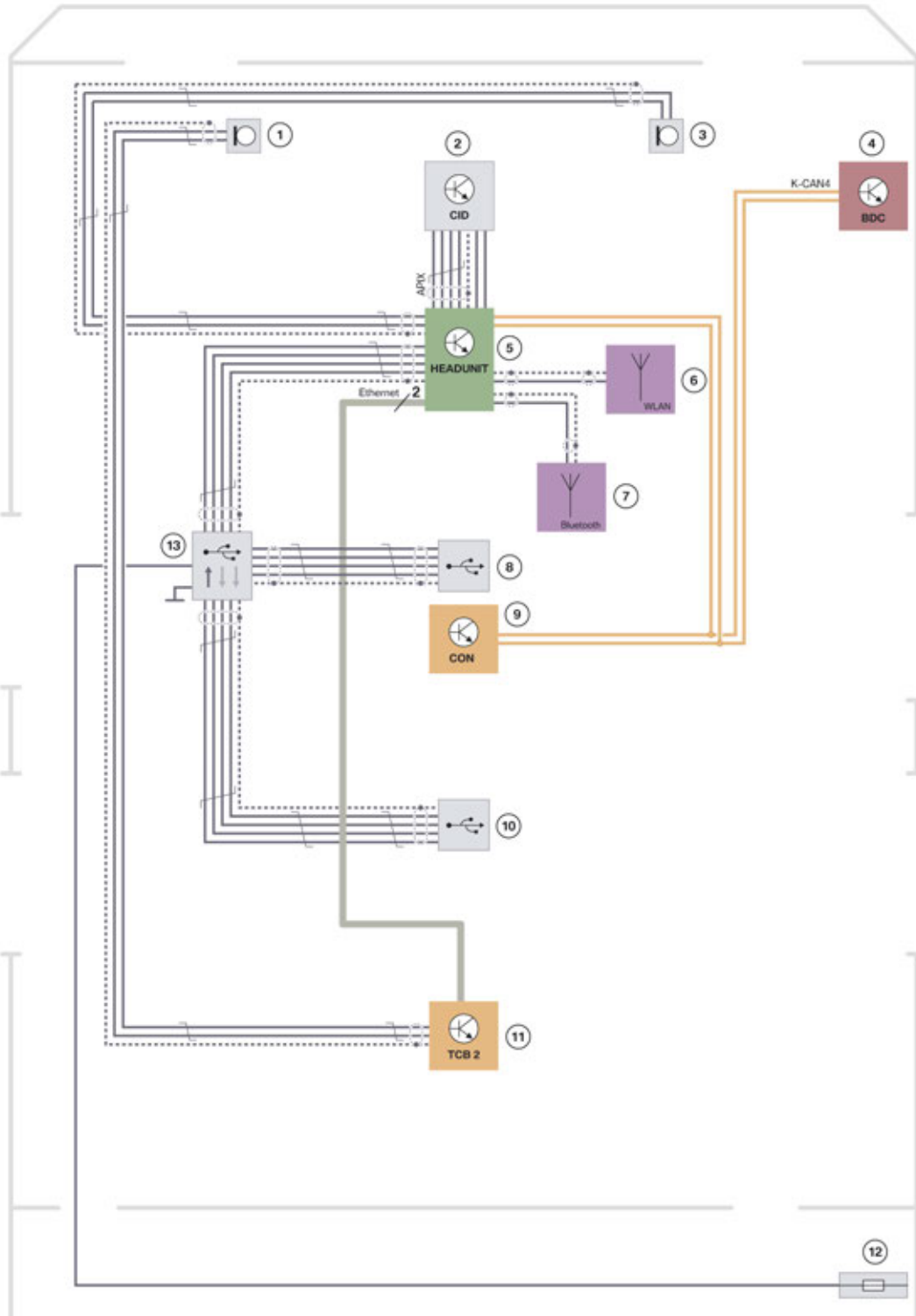
It is also not possible to subsequently install a base plate or the wireless charging retrofit kit.

Features	Telephone with extended smartphone connection
Snap-in adapter	A base plate is not installed in the vehicle. Thus, a snap-in-adaptor is not offered.
Number of mobile phones	2 mobile phones and an audio device can be active at the same time.
USB interfaces	2 (2.1 A charge current)
Wireless Charging	—
Bluetooth audio	Yes
Screencast	In conjunction with the Professional navigation system (OE 609)
USB video	In conjunction with the Professional navigation system (OE 609)
Number of microphones	2 (driver's and passenger's side)
WLAN hotspot (OE 6WD)	Optional equipment (OE 6WD)
Office functions	X
Connection to the telephone antenna of the vehicle	—

G01 Telephone

2. Telephone Systems

2.1.4. System wiring diagram



G01 Telephone with extended smartphone connection

TE17-0638

G01 Telephone

2. Telephone Systems

Index	Explanation
1	Microphone, driver's side
2	Central Information Display (CID)
3	Microphone, front passenger side
4	Body Domain Controller (BDC)
5	Headunit
6	Vehicle WLAN antenna
7	Bluetooth antenna
8	USB interface center console
9	Controller (CON)
10	USB interface in center console armrest
11	Telematic Communication Box 2 (TCB2)
12	Luggage compartment power distribution box fuse
13	USB hub

2.1.5. Telephone with wireless charging

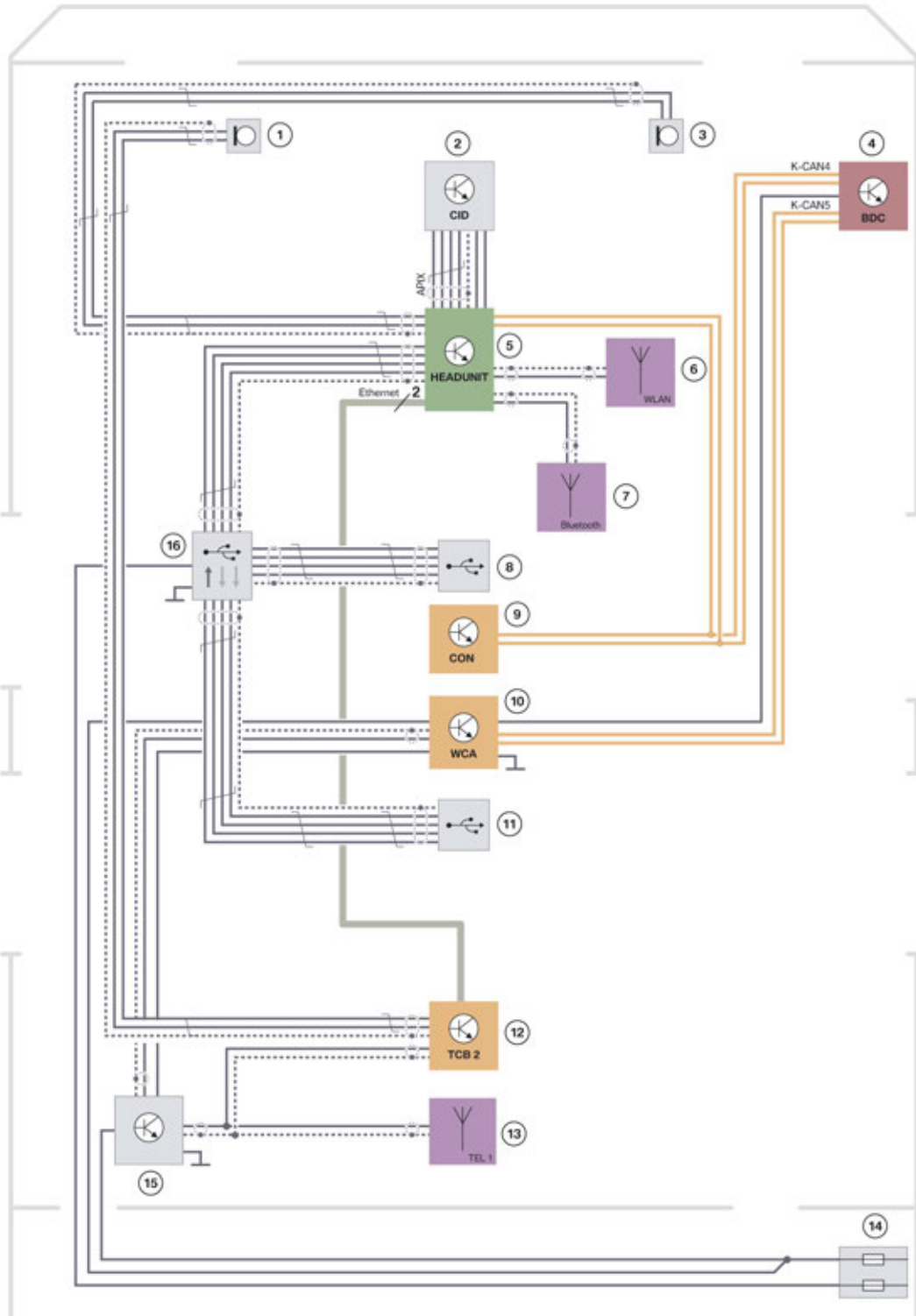
Telephone with wireless charging has been offered since the G12.

Features	Telephone with wireless charging
Snap-in adapter	A snap-in-adapter is not necessary for wireless charging.
Number of mobile phones	2 mobile phones and an audio player can be active at the same time.
USB interfaces	2 (2.1 A charge current)
Wireless Charging (OE 6NW)	Optional equipment (OE 6NW)
Bluetooth audio	Yes
Screencast	In conjunction with the Professional navigation system (OE 609)
USB video	In conjunction with the Professional navigation system (OE 609)
Number of microphones	2 (driver's and passenger's side)
WLAN hotspot (OE 6WD)	Optional equipment (OE 6WD)
Office functions	X
Connection to the telephone antenna of the vehicle	X

G01 Telephone

2. Telephone Systems

2.1.6. System wiring diagram



G01 Telephone with wireless charging

TE17-0837

G01 Telephone

2. Telephone Systems

Index	Explanation
1	Microphone, driver's side
2	Central Information Display (CID)
3	Microphone, front passenger side
4	Body Domain Controller (BDC)
5	Headunit
6	Vehicle WLAN antenna
7	Bluetooth antenna
8	USB interface center console
9	Controller (CON)
10	Wireless charging station
11	USB interface in center console armrest
12	Telematic Communication Box 2 (TCB2)
13	AntennaTEL1
14	Fuses, power distribution box, luggage compartment
15	LTE line compensator
16	USB hub

2.2. Differences between Headunit Basic 2/Headunit High2

The following functions are only possible in conjunction with a Professional navigation system:

- Video files via USB
- Screen mirroring
- Interruption of a voice output

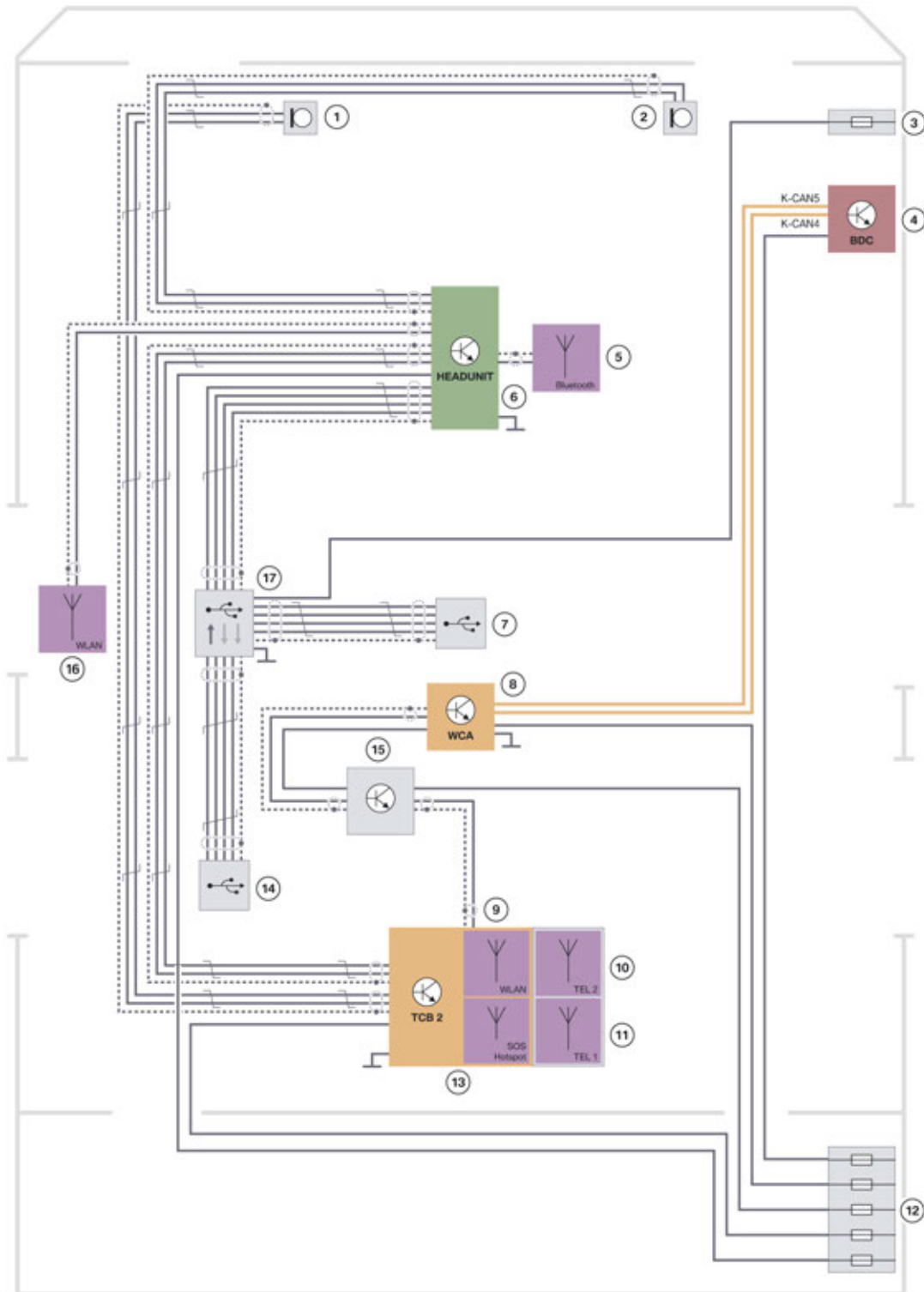
2.3. Telematics

The telematics of the G01 are identical to those of a G30.

G01 Telephone

2. Telephone Systems

2.3.1. System wiring diagram



TE17-0652

G01 Telephone

2. Telephone Systems

Index	Explanation
1	Microphone, driver's side
2	Passenger's side microphone (in conjunction with telephone with enhanced smartphone connection)
3	Fuse for front right power distribution box
4	Body Domain Controller (BDC)
5	Bluetooth antenna
6	Headunit
7	USB interface, front center console
8	Wireless charging station
9	WLAN hotspot antenna
10	TEL2 antenna (telematics)
11	TEL1 antenna (customer's mobile phone connection)
12	Fuses in the power distribution box of the luggage compartment
13	Telematic Communication Box 2 (TCB2) including emergency GSM antenna
14	USB interface, front center console below the center armrest
15	LTE line compensator
16	Vehicle WLAN antenna
17	USB hub

G01 Telephone

3. BMW Connected App

3.1. Innovations

In July 2017 the BMW Connected App will be updated. This update will enable new functions within the BMW Connected app and in the vehicle. A new service within the ConnectedDrive services will be offered in order to further integrate the BMW Connected app in the vehicle. This service is known as BMW Connected+.

The following new functions of the BMW Connected app are described in this product information:

- BMW Connected+
- Send my routes to car
- Share live trip status
- Door-to-door navigation
- My Destinations

3.1.1. BMW Connected+

BMW Connected+ is the online connection between the smartphone and the vehicle. The + stands for a new expansion stage of the services as well as the seamless integration of the digital mobility assistants in the vehicle.



G01 Connected+

Index	Explanation
1	BMW Connected app connection with the OPEN MOBILITY CLOUD
2	Vehicle connection with the OPEN MOBILITY CLOUD
3	Smartphone connection with the vehicle via Bluetooth

G01 Telephone

3. BMW Connected App

BMW Connected+ is a service of the ConnectedDrive Services (OE 6AK). BMW Connected+ is free of charge for the first year, after that the function must be rebooked in the ConnectedDrive store for a fee. If the service is not rebooked, the functions of BMW Connected+ will no longer be usable.

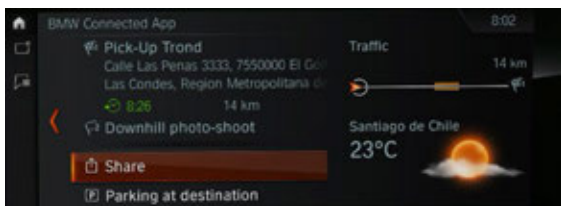
BMW Connected+ is possible with the following head units:

- Headunit Basic 2
- Headunit High 2

If the smartphone is connected with the vehicle, the BMW Connected Onboard display can be opened.

The BMW Connected Onboard display contains the following displays and information:

- Next meeting
- Meeting participants including response status
- Destination search of POIs with display in the navigation map
- Destination search via the address book
- Traffic status along the route
- Weather at destination
- Share live trip status
- Trip statistics
- Reference to pedestrian navigation
- Range information



BMW Connected Onboard display

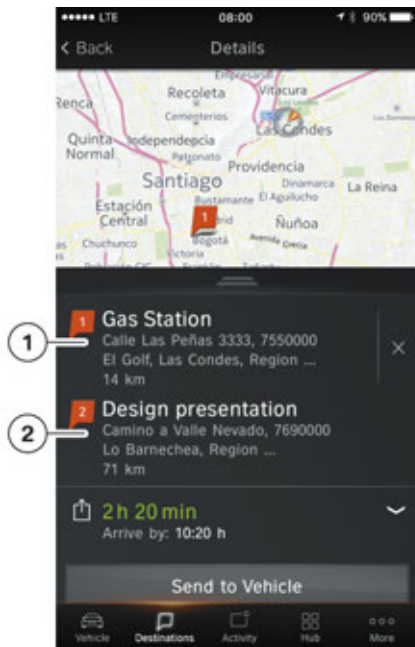
Not all the functions are possible with the Headunit Basic 2.

3.1.2. Send my routes to car

Both destinations can be sent to the vehicle. With a future update of the BMW Connected app, a POI can also be planned as a stage finish.

G01 Telephone

3. BMW Connected App



BMW Connected+ stage finish

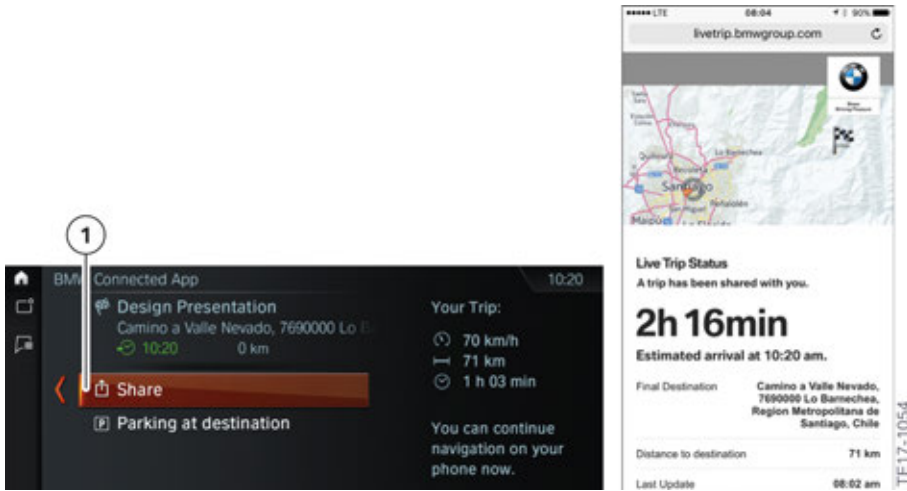
Index	Explanation
1	First destination
2	Final destination

3.1.3. Share live trip status

The active route guidance with current position and estimated arrival time can also be sent from the vehicle as a text message. The recipient is sent a link to a website, where an overview of the position, final destination and arrival time is provided. The route navigation is not displayed. This function can also be started via the BMW Connected app.

G01 Telephone

3. BMW Connected App



BMW Connected+ share route

Index	Explanation
1	Share route

3.1.4. Door-to-door navigation

Route to vehicle from current position

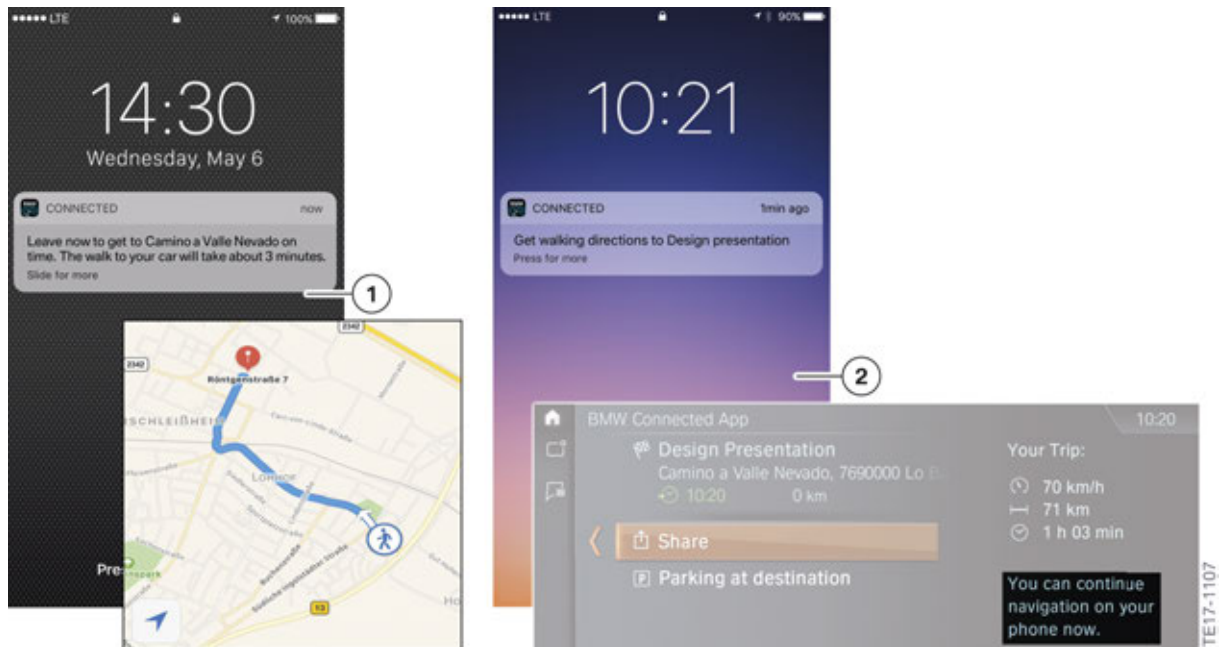
In the BMW Connected app, pedestrian navigation shows the time from the current position to the vehicle. The pedestrian navigation to the vehicle can be started directly within the BMW Connected app.

Route from vehicle to final destination

The transfer of pedestrian navigation from the vehicle to the destination takes place automatically on the BMW Connected app. This is also displayed by a pop-up message within the BMW Connected Onboard display.

G01 Telephone

3. BMW Connected App



BMW Connected+ pedestrian navigation

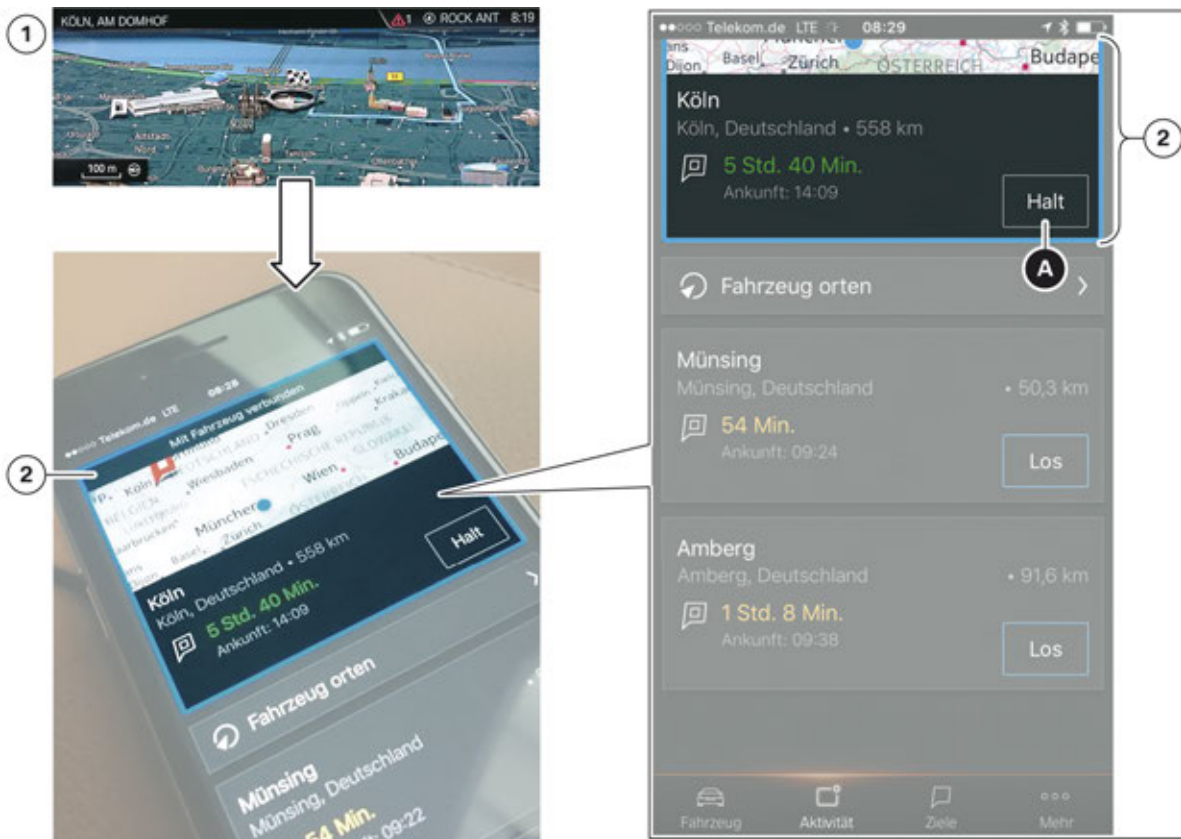
Index	Explanation
1	Message departure time including time to vehicle and pedestrian navigation to the vehicle
2	Pedestrian navigation with automatic transfer from vehicle to the BMW Connected app

3.1.5. My Destinations

The last destination within the BMW navigation system is transferred to the BMW Connected app. This makes it visible in the BMW Connected app. If the contacts in the smartphone also have an address, a route guidance to this contact can be started from the BMW Connected app.

G01 Telephone

3. BMW Connected App



BMW Connected+ My Destinations

Index	Explanation
1	Destination selected in the navigation system
2	Destination visible in the BMW Connected app

3.1.6. Summary

The functions of BMW Connected+ differ, depending on the equipment. The following table provides an overview of which functions can be implemented via the individual head units:

Function	Professional radio	Professional navigation system
BMW Connected Onboard display	No	Yes
My Destinations	No	Yes
Navigate door-to-door	No	Yes
Send my routes to car	No	Yes
Share live trip status	No	Yes
Assistance window	No	Yes

G01 Telephone

3. BMW Connected App

3.1.7. Functions without BMW Connected+

If the BMW Connected+ service is **not** rebooked, then the functions of the BMW Connected app in the vehicle will not be usable or only to a limited extent:

BMW Connected Onboard display

Due to the missing BMW Connected Onboard display, its functions are no longer available. If the smartphone is connected to the vehicle, only a destination list is available.

Send my routes to car

A stage finish can no longer be planned. Only one destination can be selected and sent to the vehicle.

Share live trip status

The route can only be shared as a simple text message from the vehicle without a link and further information.

Navigate door-to-door

Pedestrian navigation to the vehicle and from the vehicle to the destination is still possible. In the case of pedestrian navigation to the vehicle, the notification about the departure time will not show the time to the vehicle on the smartphone.

Pedestrian navigation from the vehicle to the destination will no longer be automatically transferred to the smartphone. The function must be manually selected in the smartphone.

My Destinations

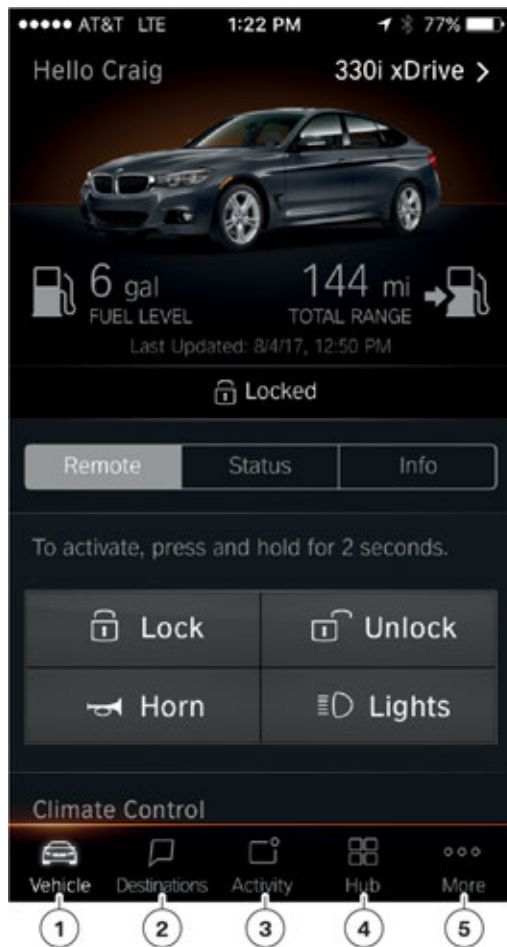
The last destination of the navigation system will not be transferred to BMW Connected app.

G01 Telephone

3. BMW Connected App

3.1.8. BMW Connected app buttons

New buttons were added with the new updates of the BMW Connected app. The following graphic shows the current buttons within the BMW Connected app:

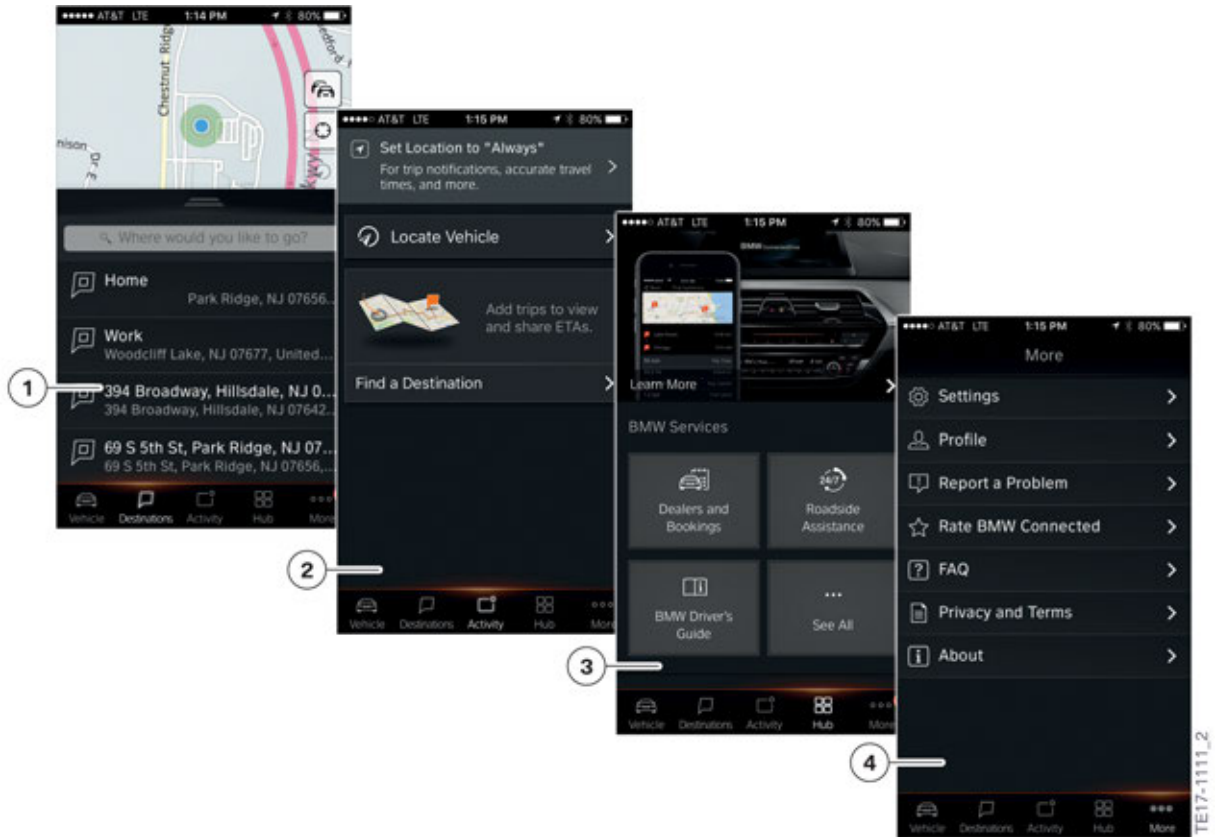


BMW Connected app main menu

Index	Explanation
1	Vehicle
2	Destinations
3	Activity
4	Hub
5	More

G01 Telephone

3. BMW Connected App



BMW Connected app menus

Index	Explanation
1	Destinations (enter a destination)
2	Activity (overview of planned trips)
3	Hub (further information about the BMW Connected App and links to other apps, e.g. BMW Drivers Guide)
4	More (further information and general settings)

3.2. Remote 3D View

3.2.1. Function

A vehicle can only be photographed under the following conditions:

- the vehicle is stationary or,
- is driving at a speed of under 5 km/h (3 mph).

It is irrelevant whether the vehicle is sleeping.

G01 Telephone

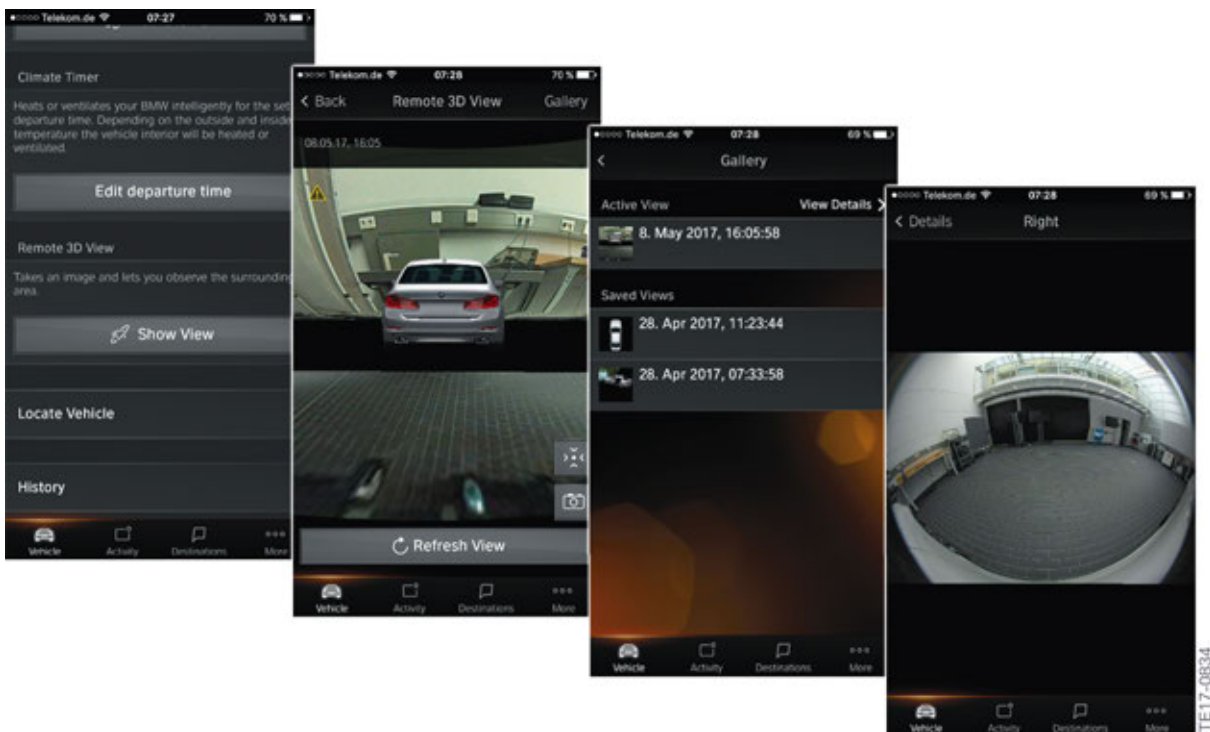
3. BMW Connected App

3.2.2. Display

If the view is not displayed correctly, it is possible to view the individual images. In the following example, the exterior rearview mirrors are folded in. The display on the sides is shown in black.

The individual images can be displayed in the following manner:

- Show View
- Gallery
- View Details



BMW Connected close-ups

It is not possible to generate a correct view of the vehicle if the doors, hood or trunk are open. In the graphic representation of the Remote 3D View display, the opened doors, hood or trunk are displayed as open.

G01 Telephone

3. BMW Connected App

3.2.3. Service

It is possible to generate views of the vehicle while it is in a workshop. If this is to be prevented, there are 2 possibilities for the service:

- Cover cameras
- Deactivate function in the vehicle

The function is deactivated in the following manner:

- My Vehicle
- iDrive settings
- Data protection
- Remote 3D View

G01 Telephone

4. ConnectedDrive

4.1. Accident Assistance

4.1.1. Function

The BMW Teleservice Accident Assistance is a new ConnectedDrive service.

The vehicle detects accidents in the lower speed range and displays a warning message in the Central Information Display (CID) and instrument cluster. The driver can start the service by pressing the controller. A connection to the BMW Call Center is established. The employee in the BMW Call Center can advise the driver and if necessary also organize a tow recovery service for transport of the vehicle to the nearest BMW Service location.



Procedure for Accident Assistance

Index	Explanation
1	Vehicle detects accident in the lower speed range
2	Warning message in the Central Information Display
3	Connection with the BMW Call Center
4	Repair of the vehicle in the BMW Service

The system detects accidents below the airbag trigger threshold and then displays the Accident Assistance service, which can be started by the driver via a link. A 5th generation ACSM is a prerequisite for the Accident Assistance function.

4.1.2. Requirement

BMW TeleServices (OE 6AE) are a prerequisite for the Accident Assistance function.

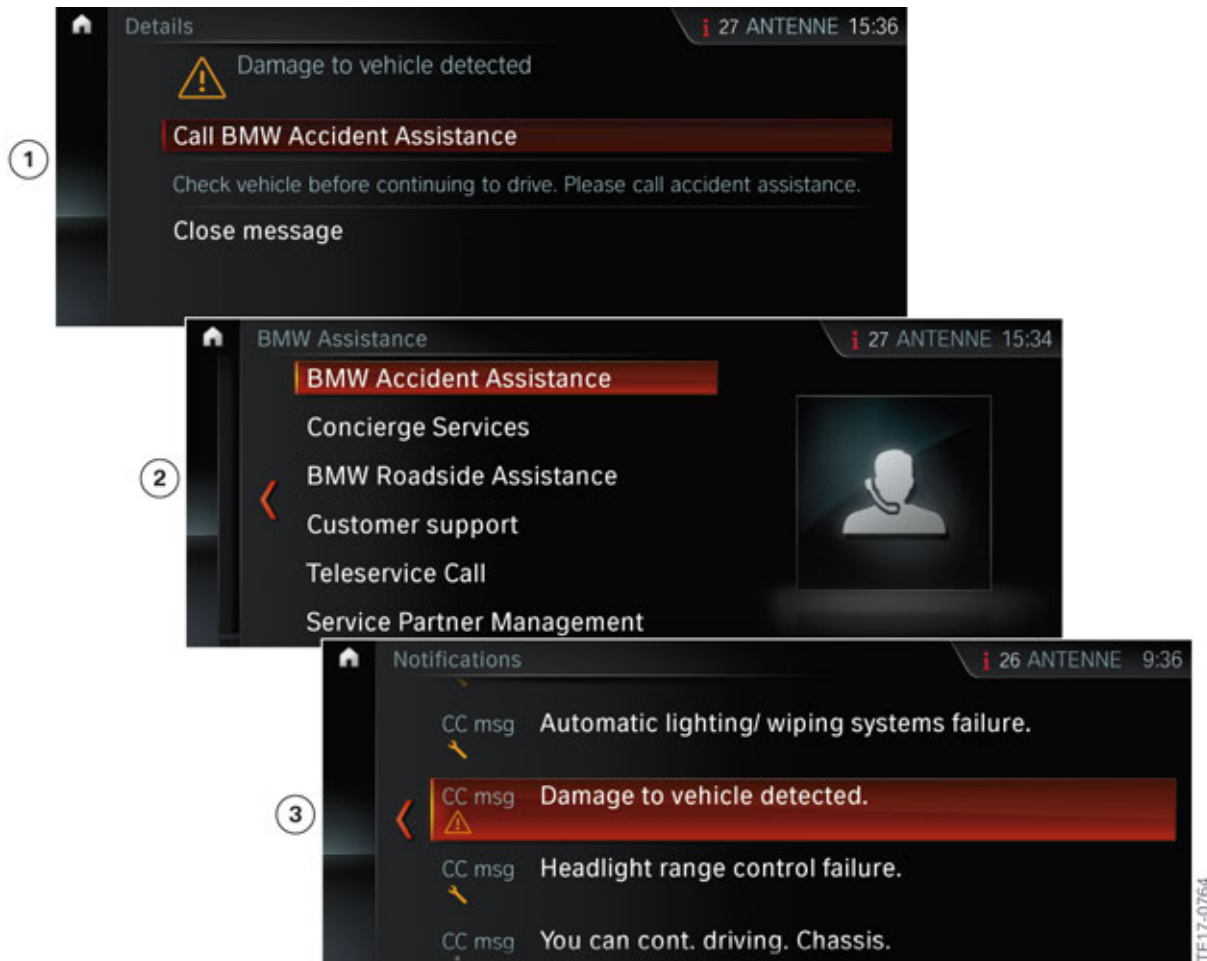
Accident Assistance will be launched with G series vehicles from the production date 07/2017:

The ConnectedDrive Service Cockpit displays whether the Accident Assistance service is active.

G01 Telephone

4. ConnectedDrive

4.1.3. Displays



Accident Assistance displays in the Central Information Display

Index	Explanation
1	Pop-up Accident Assistance message after an accident has been detected. A connection is established to the BMW Call Center by a confirmation.
2	Accident Assistance service in the ConnectedDrive menu
3	Check Control message for detected Accident Assistance



Bayerische Motorenwerke Aktiengesellschaft
Händlerqualifizierung und Training
Röntgenstraße 7
85716 Unterschleißheim, Germany